

CHOSEN

VENT TECH LTD.



PRODUCTS

Axial Fan
Centrifugal Fan
Fan Accessories
Mist Spray Fan
Evaporative Air Cooler
Hydroponic(Inline) Duct Fan
Exhaust Fan
Cooling Pad





CHOSEN

VENT TECH LTD. Company Profile

CHOSEN VENT TECH LTD. is a manufacturer who focus on the design and producing for the industrial & commercial ventilators. Our ventilators be use in ventilation system (supply or exhaust) of Building, Air-conditioning, Industrial (HVAC), Firefighting, the commercial & industrial (HVAC) system.

We have products ranges include completed fans & fan accessories. The fans include forward-curve & backward-curve centrifugal fans (Blowers), axial fans, misting fans. The accessories include forward-curve & backward-curve impellers, axial impellers, fan blades and so on. We are not only manufacture products for standard item with bulk quantity, but also we provide project solution and fan type selection. Custom, semi-custom, OEM, ODM also our advantages.



Our engineers who with more than 20years experience in fans design, with the help of the advanced processing equipments (Laser cuttings, CNC lathers & bendings, Rolling, Dynamic balance) and experienced workers, they ensure the fans with high quality. And the fans be test by airway system so their technical parameters are truth & reliable.

Currently, our products have been exported to more than 30countries, and win trust & affirmation of the clients.

We CHOSEN VENT TECH LTD will be your honest and reliable partner.

ANTI — CORROSION CENTRIFUGAL FAN ▶ LF — C SERIES



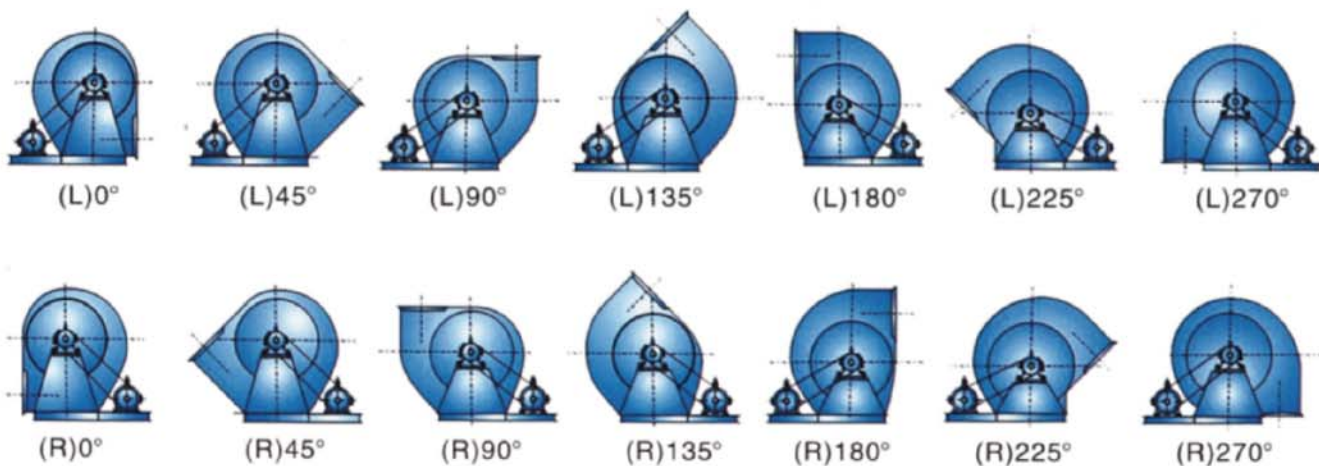
Anti-Corrosion Centrifugal Fan (LF-C)		
Technical Specification		
Impeller Dia Range Ø	mm	300 ~ 1400
Air flow	CMH	825 ~ 108374
Air pressure	Pa	323 ~ 3551
Electric Option	V/Hz/Phase	220V/380V/420V
		50HZ/60HZ
		single phase / 3phase
Power Option	KW	1.1 ~ 110
Motor Grade	Protection	IP44, IP54, IP55
	Insulation	B, E, F
Material Option	Fan housing Frame	Fiber glass
	Fan impeller	Fiber glass
Driven Option		Direct (A), Belt (C)
Function Option	Popular	For normal usage situation
	Explosion	
	Anti-Corrosion	
Customizable		

Applications:

For chemical engineering, electroplate, oxidation, power plants, laboratories, circuit boards, environmental protection, where there is corrosive gas.

Advantages:

- ⊙ LF-C Glass Fiber Reinforced Plastic Centrifugal fan is made of fiberglass reinforced plastic.
- ⊙ The equipment has advantages of high intensity, light weight, not easy for aging, low noise and so on.
- ⊙ It is a new pattern anti-corrosion fan with nice effect.
- ⊙ The impeller adopts water cooling or oil cooling base connected to the motor drive by the belt.
- ⊙ The advantage is that it can reduce the corrosion to the motor, slow down the speed and lower the motor load to prolong the service life of fan.



Performance Data

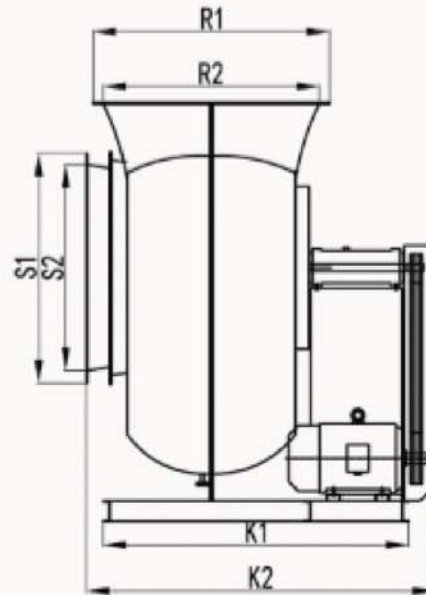
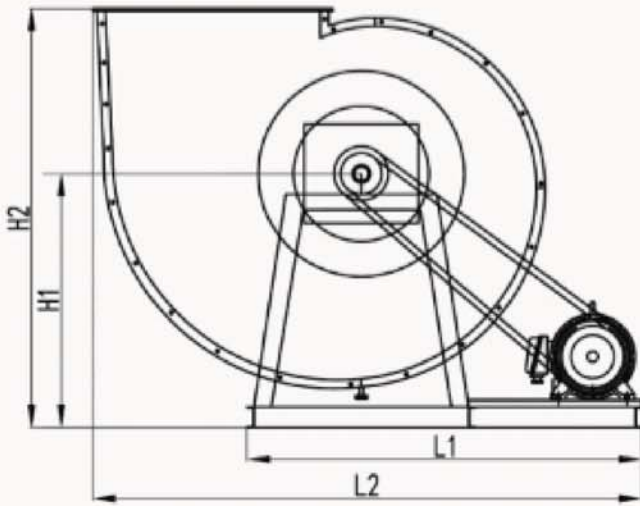
Item	Impeller Dia	Power	Speed	Air Flow	Total Pressure
	mm	Kw	r/min	m ³ /h	Pa
CH-LF300C	300	1.1	1450	825 -1531	634-323
		1.5	2900	1230-2881	1624-725
		2.2	2900	1310-3240	1835-731
CH-LF400C	400	1.5	1450	2250-4050	752-394
		3	2900	3065-6701	2136-1311
		5.5	2900	5000-8100	2453-1518
CH-LF500C	500	2.2	1450	4500-7200	819-484
		4	1800	5000-9000	1440-715
		5.5	2200	6009-10103	1723-1193
		7.5	2500	6113-12960	2485-1382
		11	2800	6100-12960	2742-1568
		15	3000	6213-13816	3187-2019
CH-LF600C	600	3	1250	6213-10034	1040-732
		4	1450	7210-11640	1318-592
		5.5	1600	7955-12844	1605-886
		7.5	1800	8951-14449	1894-913
		11	2000	9945-16055	2392-1248
		15	2200	10939-16055	2734-1733
		22	2500	11294-16477	3267-1892

PERFORMANCE DATA

▶ LF—C SERIES

Performance Data					
Item	Impeller Dia	Power	Speed	Air Flow	Total Pressure
	mm	Kw	r/min	m ³ /h	Pa
CH-LF700C	700	4	1000	7312-13161	991-548
		5.5	1120	7524-14006	1128-685
		7.5	1250	6397-15632	1414-802
		11	1450	9572-17820	1790-1041
		15	1600	10748-20009	2178-1219
		22	1800	12162-21184	2819-1791
		30	2000	12917-22113	3105-2004
CH-LF800C	800	5.5	1000	13716-20561	1014-515
		7.5	1120	16002-23988	1381-694
		11	1250	18593-27872	1809-970
		15	1450	20345-30499	2062-1050
		18.5	1450	22098-33126	2415-1324
		22	1600	23622-35411	2758-1504
		30	1800	24111-35624	2918-1598
CH-LF1000C	1000	37	2000	24887-36005	3207-2101
		11	800	22142-29000	260-959
		15	900	26213-32198	1423-1201
		18.5	1000	29335-36112	1749-1438
		22	1000	31500-37211	1845-1597
		30	1120	32416-40000	2205-1789
		37	1250	34000-43411	2473-1672
CH-LF1200C	1200	45	1400	34752-43989	2884-1877
		11	560	30901-36713	1195-868
		15	630	31213-43309	1381-941
		18.5	710	35141-48609	1520-1179
		22	710	36012-49113	1741-1295
		30	800	39218-54192	1892-1405
		37	900	44000-61000	2023-1634
		45	980	46551-64519	2151-1765
CH-LF1400C	1400	55	1080	49000-68000	2394-1912
		75	1250	50018-68999	2889-2113
		37	710	48906-68452	1643-1377
		55	800	55105-77129	2083-1675
		75	900	61992-96771	2681-2017
		110	1000	77785-108374	3551-2811

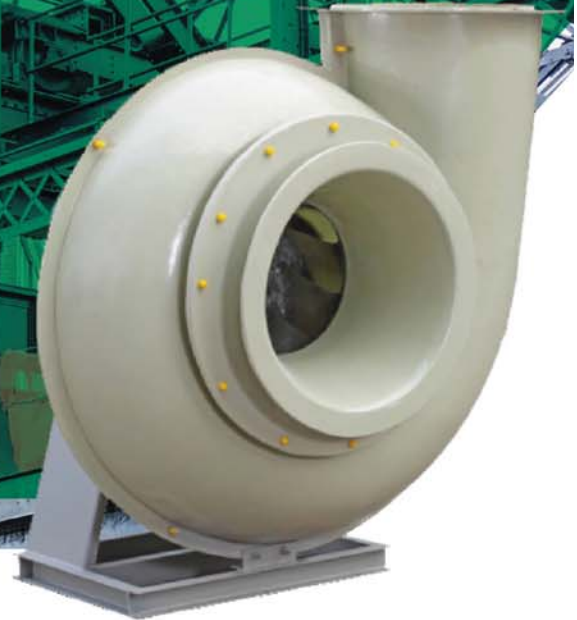
PRODUCT SIZE LF—C SERIES ◀



Unit: mm

Item	K1	L1	Inlet Size		Outlet Size		Dimensions (90°)				Dimensions (180°)			
			S1	S2	R1	R2	H1	H2	K2	L2	H1	H2	K2	L2
CH-LF300C	520	900	343	243	330	243	480	780	630	940	400	780	630	840
CH-LF400C	515	953	400	300	427	340	563	940	780	1120	470	970	780	990
CH-LF500C	513	953	498	400	504	405	646	1100	800	1240	490	990	800	1180
CH-LF600C	640	1320	650	530	650	530	755	1380	1130	1750	675	1470	1130	1600
CH-LF700C	764	1347	720	610	720	610	815	1450	1230	1950	780	1620	1230	1800
CH-LF800C	890	1700	860	730	860	730	1025	1960	1500	2250	925	1900	1500	2120
CH-LF1000C	1490	1900	1000	870	1000	870	1125	2200	1800	2450	1025	2200	1800	2500
CH-LF1200C	1830	2400	1240	1100	1240	1050	1390	1450	2060	3100	1240	2660	2060	2700
CH-LF1400C	1780	2300	1410	1300	1410	1300	1730	2690	2030	3520	1700	2850	2030	2900

ANTI — CORROSION CENTRIFUGAL FAN ▶ LF — A SERIES



Anti-Corrosion Centrifugal Fan (LF-A)		
Technical Specification		
Impeller Dia Range Ø	mm	300 ~ 800
Air flow	CMH	618 ~ 21000
Air pressure	Pa	342 ~ 1977
Electric Option	V/Hz/Phase	220V/380V/420V
		50HZ/60HZ
		single phase / 3phase
Power Option	KW	0.75 ~ 15
Motor Grade	Protection	IP44, IP54, IP55
	Insulation	B, E, F
Material Option	Fan housing Frame	Fiber glass
	Fan impeller	Fiber glass
Driven Option		Direct (A), Belt (C)
Function Option	Popular	For normal usage situation
	Explosion	
	Anti-Corrosion	
Customizable		

Applications:

For chemical engineering, electroplate, oxidation, power plants, laboratories, circuit boards, environmental protection, where there is corrosive gas.

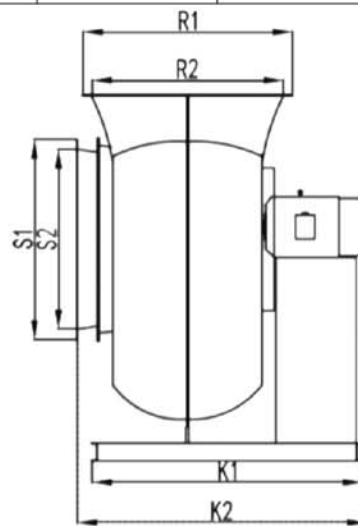
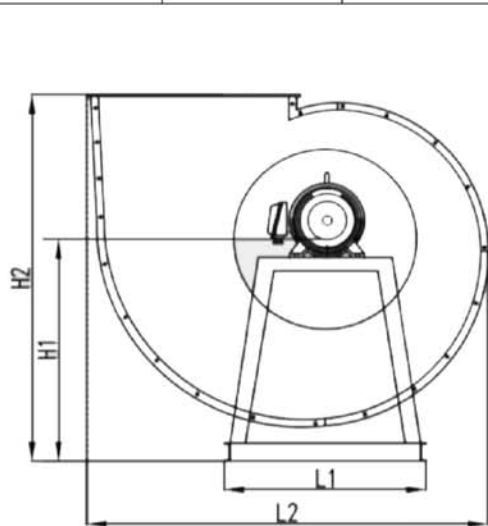
Advantages:

- ⊙ It is an environment friendly fan with the characteristics of high-efficiency, high-performance and lower power consumption.
- ⊙ The configuration of this model is more adaptable to air flow property and its dimension fits the ventilation duct.
- ⊙ The series of fans can convey corrosive gas with acid-base and chemical composition.
- ⊙ It is not allowed to transfer gases with viscous material, the particle size of dust and hardness equal or less than 150mg/m³, air temperature less than or equal to 60°C, relative humidity less than or equal to 100%.
- ⊙ The equipment has advantages of high intensity, high weight, not easy for aging, good performance in corrosive resistance, low noise, stable operation and so on.



Performance Data

Item	Impeller Dia	Power	Speed	Air Flow	Total Pressure
	mm	Kw	r/min	m ³ /h	Pa
CH-LF300A	300	0.75	1450	618-2025	523-342
		1.5	2900	1000-3420	1852-625
CH-LF400A	400	1.5	1450	2500-4050	625-375
		3	2900	3065-6701	2167-1368
CH-LF500A	500	2.2	1450	4551-7213	890-602
		7.5	2900	9132-14400	2640-1536
		15	2900	8346-16691	3442-2160
CH-LF600A	600	4	1450	7109-13500	1298-784
		5.5	1450	7550-14590	1367-868
CH-LF700A	700	7.5	1450	9521-17500	1723-820
		11	1450	11000-23111	1912-1012
CH-LF800A	800	7.5	960	13234-21000	1977-1139





Unit: mm

Item	K1	L1	Inlet Size		Outlet Size		Dimensions (90°)				Dimensions (180°)			
			S1	S2	R1	R2	H1	H2	K2	L2	H1	H2	K2	L2
CH-LF300A	435	460	320	220	320	220	380	725	480	600	370	700	480	620
CH-LF400A	535	480	420	320	420	320	450	910	500	800	460	890	500	830
CH-LF500A	550	520	490	380	490	380	595	1025	580	940	480	1015	580	950
CH-LF600A	680	770	650	530	650	530	660	1200	860	1200	600	1150	860	1230
CH-LF700A	770	855	730	610	730	610	700	1320	920	1330	665	1300	920	1340

ANTI — CORROSION CENTRIFUGAL FAN

▶ F4 — 72A SERIES



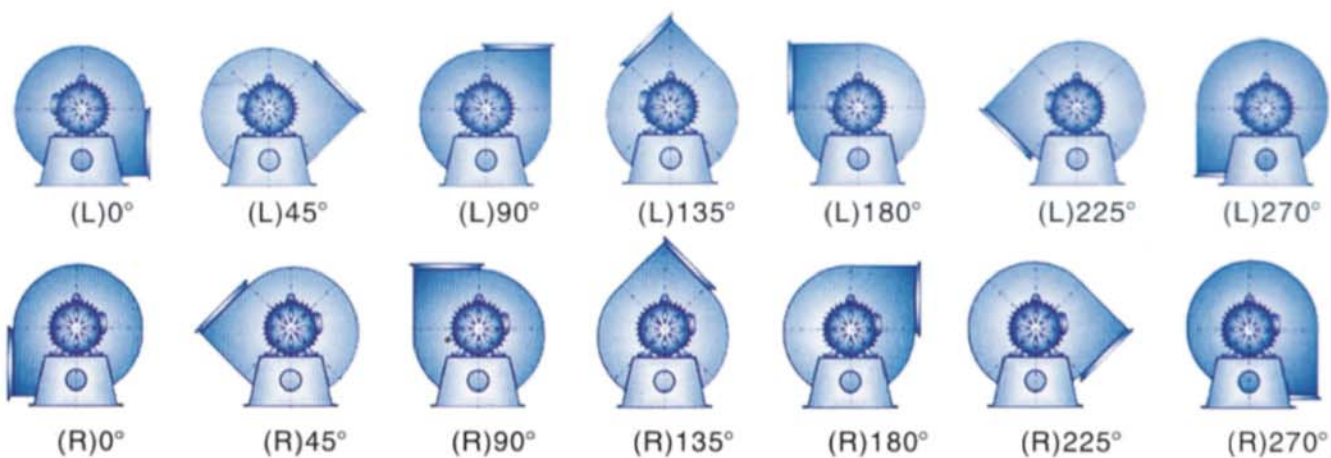
Anti-Corrosion Centrifugal Fan (F4-72A)		
Technical Specification		
Impeller Dia Range Ø	mm	280 ~ 800
Air flow	CMH	566 ~ 21204
Air pressure	Pa	303 ~ 3187
Electric Option	V/Hz/Phase	220V/380V/420V
		50HZ/60HZ
		single phase / 3phase
Power Option	KW	0.75 ~ 15
Motor Grade	Protection	IP44, IP54, IP55
	Insulation	B, E, F
Material Option	Fan housing Frame	Fiber glass
	Fan impeller	Fiber glass
Driven Option		Direct (A), Belt (C)
Function Option	Popular	For normal usage situation
	Explosion	
	Anti-Corrosion	
Customizable		

Applications:

For chemical engineering, electroplate, oxidation, power plants, laboratories, circuit boards, environmental protection, where there is corrosive gas.

Advantages:

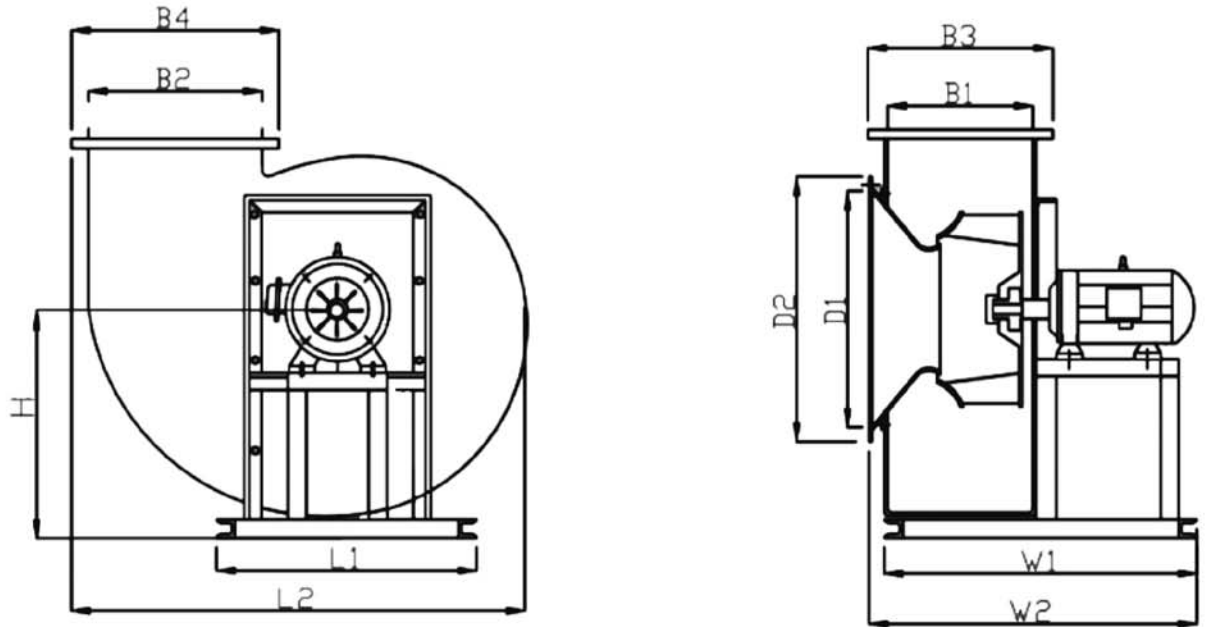
- ⊙ F4-72A Fiber Reinforced Plastic Centrifugal Fan is made of glass composite.
- ⊙ The products can convey corrosive gas with acid-base and chemical composition. It is not allowed to transfer gases with viscous material, the particle size of dust and hardness equal or less than 150mg/m³, air temperature less than or equal to 60°C, relative humidity less than or equal to 100%.
- ⊙ The equipment has advantages of high intensity, light weight, not easy for aging, good performance in corrosive resistance, low noise, stable operation and so on.



Performance Data					
Item	Impeller Dia	Power	Speed	Air Flow	Total Pressure
	mm	Kw	r/min	m ³ /h	Pa
CH-F280A	280	0.75	1450	566-1060	497-303
		1.5	2900	1131-2120	994-606
CH-F320A	320	1.1	1450	844-1582	324-198
		2.2	2900	1688-3165	1300-792
CH-F360A	360	1.1	1450	1332-2371	393-247
		3	2900	2664-4741	1578-989
CH-F400A	400	1.1	1450	2006-3338	501-329
		5.5	2900	4012-6677	2014-1320
CH-F450A	450	1.1	1450	2856-4696	634-416
		7.5	2900	5712-9505	2554-1673
CH-F500A	500	2.2	1450	3864-6955	790-502
		15	2900	7728-13909	3187-2019
CH-F600A	600	1.5	960	4420-7956	498-317
		4	1450	6677-12017	1139-724
		5.5	1600	7367-13260	1389-881
CH-F700A	700	7.5	1450	10602-19083	1550-984
		11	1450	11235-21204	1103-1698
CH-F800A	800	7.5	960	10914-20016	963-707

PRODUCT SIZE

► L4—72A SERIES



Unit: mm

Item	Fan Housing Dimensions								Frame & Base Dimensions			
	L2	W2	Inlet Size		Outlet Size				L1	W1	H	
			D1	D2	B1	B2	B3	B4			90°	180°
CH-F280A	610	540	260	370	220	250	300	320	360	440	320	275
CH-F320A	670	580	300	390	250	270	320	340	370	480	370	300
CH-F360A	760	620	350	440	280	280	370	390	380	520	395	345
CH-F400A	810	630	400	490	295	295	395	415	480	530	430	370
CH-F450A	900	650	430	520	340	340	420	450	500	600	485	425
CH-F500A	940	720	470	580	380	380	470	520	530	610	530	460
CH-F600A	1160	850	570	690	430	430	550	600	590	710	620	535
CH-F700A	1405	1050	700	800	490	490	610	800	670	850	755	620

ANTI — CORROSION CENTRIFUGAL FAN ▶ F4 — 72C SERIES



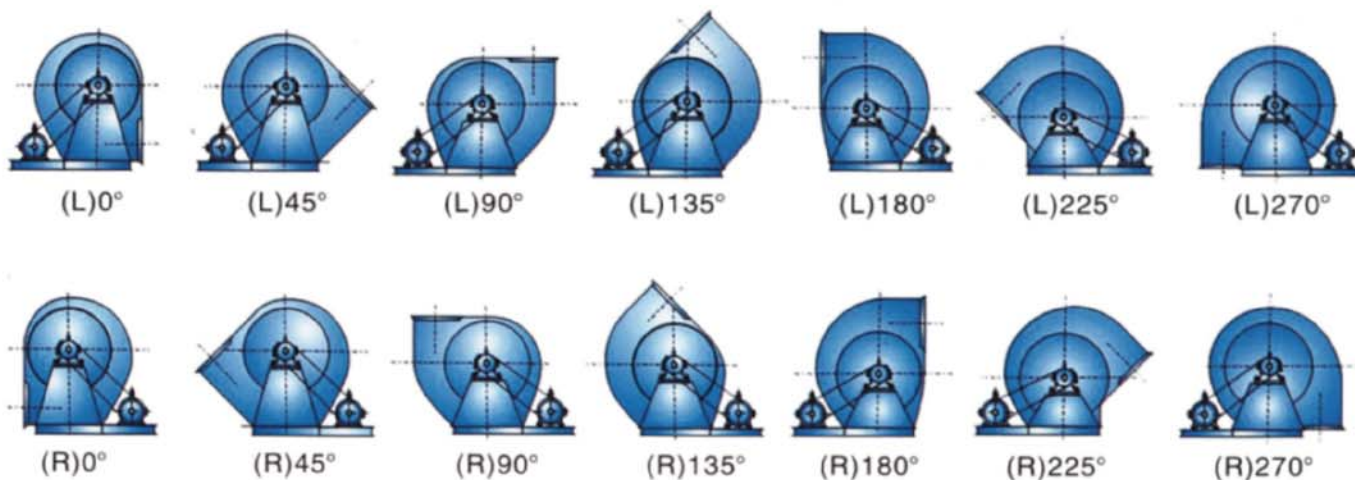
Anti-Corrosion Centrifugal Fan (F4-72C)		
Technical Specification		
Impeller Dia Range Ø	mm	280 ~ 1400
Air flow	CMH	566 ~ 107124
Air pressure	Pa	303 ~ 2985
Electric Option	V/Hz/Phase	220V/380V/420V
		50HZ/60HZ
		single phase / 3phase
Power Option	KW	0.75 ~ 110
Motor Grade	Protection	IP44, IP54, IP55
	Insulation	B, E, F
Material Option	Fan housing Frame	Fiber glass
	Fan impeller	Fiber glass
Driven Option		Direct (A), Belt (C)
Function Option	Popular	For normal usage situation
	Explosion	
	Anti-Corrosion	
Customizable		

Applications:

For chemical engineering, electroplate, oxidation, power plants, laboratories, circuit boards, environmental protection, where there is corrosive gas.

Advantages:

- ⊙ The equipment has advantages of high intensity, light weight, not easy for aging, low noise and so on.
- ⊙ It is a new-pattern anti-corrosion fan with nice effect.
- ⊙ The impeller adopts water cooling or oil cooling base connected to the motor drive by the belt.
- ⊙ The advantage is that it can reduce the corrosion to the motor, slow down the speed and lower the motor load to prolong the service life of fan.



Performance Data					
Item	Impeller Dia	Power	Speed	Air Flow	Total Pressure
	mm	Kw	r/min	m ³ /h	Pa
CH-F280C	280	0.75	1450	566-1060	497-303
		1.5	2900	1131-2120	994-606
CH-F320C	320	1.1	1450	844-1582	324-198
		2.2	2900	1688-3165	1300-792
CH-F360C	360	1.1	1450	1332-2371	393-247
		2.2	2200	1843-3420	1142-837
		3	2900	2664-4741	1578-989
CH-F400C	400	2.2	1800	2320-3642	724-432
		4	2250	2582-3857	1842-934
		5.5	2900	4012-6677	2014-1320
CH-F450C	450	1.5	1600	2856-4696	824-634
		3	2000	3420-6781	1524-729
		5.5	2500	4512-8344	2018-1332
		7.5	2900	5712-9505	2554-1673
CH-F500C	500	3	1600	3864-7728	790-502
		4	1800	4012-7931	924-713
		5.5	2000	5332-8721	1642-1132
		7.5	2500	5621-9418	2099-1393

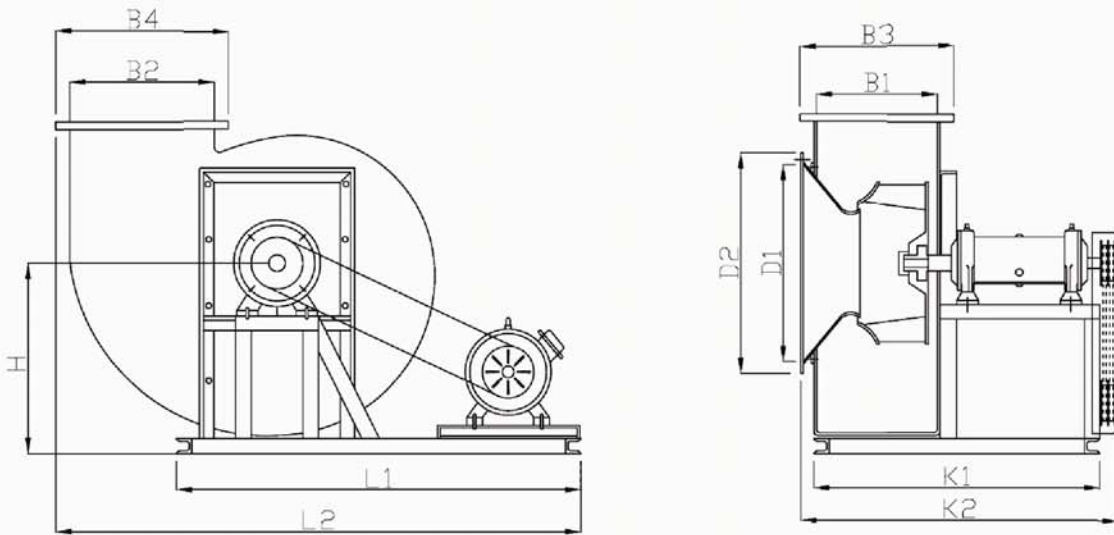
PERFORMANCE DATA

► F4—72C SERIES

Performance Data					
Item	Impeller Dia	Power	Speed	Air Flow	Total Pressure
	mm	Kw	r/min	m ³ /h	Pa
CH-F600C	600	3	1250	5756-10359	846-537
		4	1450	6677-12017	1139-724
		5.5	1600	7367-13260	1389-881
		7.5	1800	8288-14917	1760-1116
		11	2000	9309-16576	2176-1380
CH-F700C	700	4	1000	7312-13161	736-468
		5.5	1120	8189-14740	924-586
		7.5	1250	9140-16451	1151-731
		11	1450	10602-19083	1550-984
		15	1600	11698-21057	1890-1190
CH-F800C	800	5.5	1000	10914-18213	963-707
		7.5	1120	12224-20399	1209-887
		11	1250	13643-22767	1507-1106
		15	1450	15826-26409	2032-1490
		18.5	1520	16734-27775	2255-1681
		22	1600	17643-29142	2478-2390
CH-F1000C	1000	11	800	22312-28107	967-766
		15	900	25101-31620	1225-970
		18.5	1000	27890-35134	1514-1190
		30	1120	31237-39349	1902-1505
CH-F1200C	200	15	630	30362-38248	863-684
		18.5	710	34218-43105	1097-869
		30	800	38556-48569	1395-1104
		37	900	43375-54640	1767-1399
		55	1000	48195-60711	2185-1729
CH-F1400C	1400	22	560	42859-59990	929-736
		30	630	48217-67488	1177-932
		37	710	54340-76058	1497-1185
		55	800	61228-85699	1903-1506
		75	900	68881-96412	2412-1908
		110	1000	76535-107124	2985-2361

PRODUCT SIZE

F4—72C SERIES ◀





Unit: mm

Item	Fan Housing Dimensions								Frame & Base Dimensions			
	L2	K2	Inlet Size		Outlet Size				L1	K1	H	
			D1	D2	B1	B2	B3	B4			90°	180°
CH-F600C	1640	1220	590	720	440	500	550	600	1130	950	645	580
CH-F700C	1740	1280	665	780	500	600	590	690	1230	980	740	635
CH-F800C	2130	1450	770	890	560	660	680	760	1640	1160	840	710
CH-F1000C	2320	1730	980	1130	700	860	800	960	2070	1410	1060	910
CH-F1200C	2560	1980	1190	1340	840	1000	940	1100	2250	1650	1318	1120

ANTI — CORROSION CENTRIFUGAL FAN

▶ PP4 — 72 SERIES



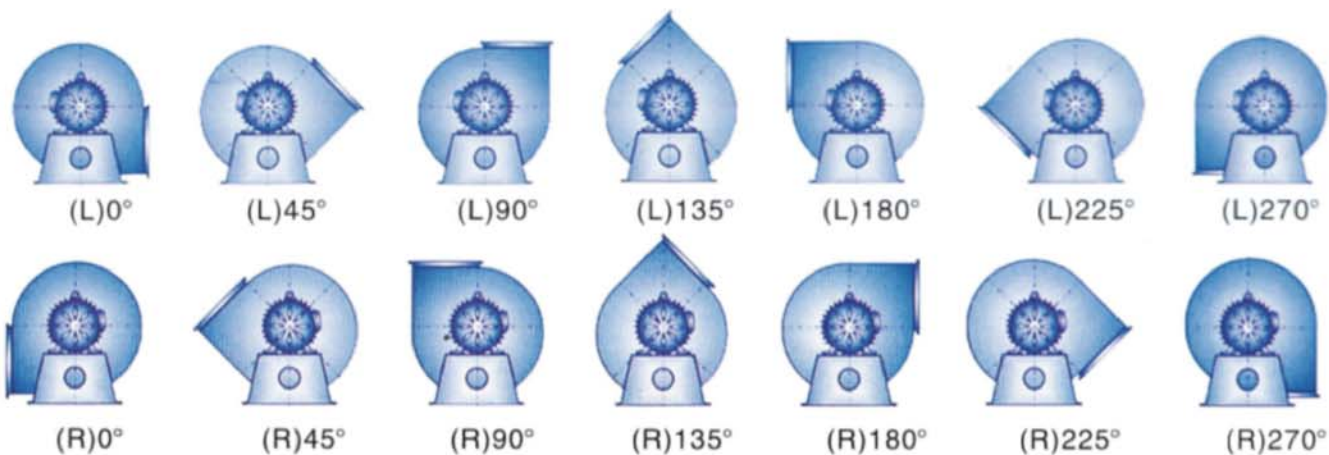
Anti-Corrosion Centrifugal Fan (PP4-72)		
Technical Specification		
Impeller Dia Range Ø	mm	280 ~ 800
Air flow	CMH	565 ~ 18213
Air pressure	Pa	126 ~ 1550
Electric Option	V/Hz/Phase	220V/380V/420V
		50HZ/60HZ
		single phase / 3phase
Power Option	KW	0.75 ~ 7.5
Motor Grade	Protection	IP44, IP54, IP55
	Insulation	B, E, F
Material Option	Fan housing Frame	Polypropylene
	Fan impeller	Polypropylene
Driven Option		Direct (A), Belt (C)
Function Option	Popular	For normal usage situation
	Explosion	
	Anti-Corrosion	
Customizable		

Applications:

For chemical engineering, metallurgy, electronics, medicine, spinning, instrument, electroplate, mining, schools, hotels, laboratories, environmental production corollary equipment, ect.

Advantages:

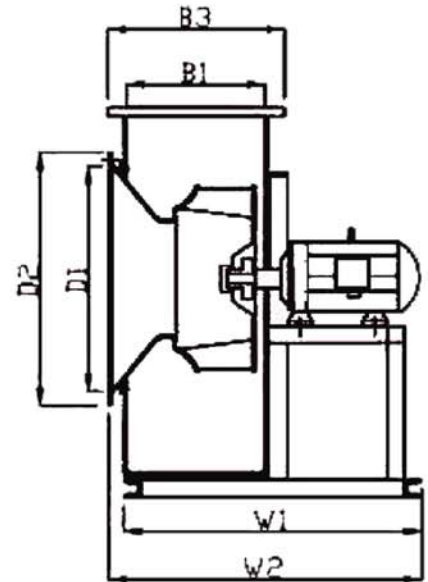
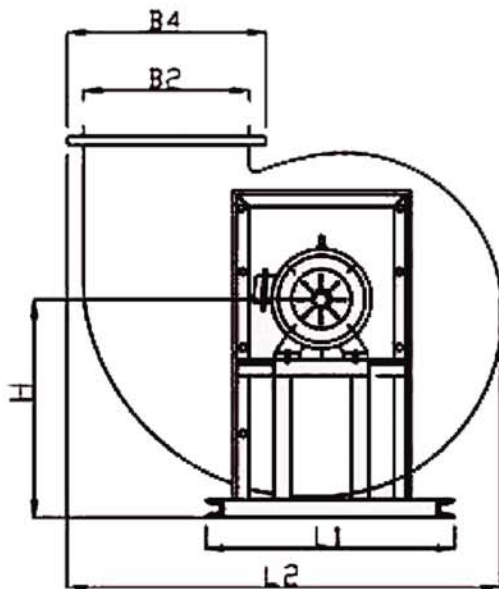
- ⊙ To ventilating the harmful gas like acid-base property gas.
- ⊙ It is not allowed to apply in corrosive gas like aromatic compound, aliphatic series, aromatic hydrocarbon halogen derivative, ketones, etc.
- ⊙ It is not allowed to transfer gases with viscous material, the particle size of dust and hardness equal to less than 150mg/m³, air temperature 50°C, relative humidity less than or equal to 100%. It should not be under the blazing sun for long time and there should be no heat source near the site of fan.
- ⊙ The equipment has advantages of resistance to chemical attack, not easy for aging, light weight, low noise, stable poeration and so on.



Performance Data					
Item	Impeller Dia	Power	Speed	Air Flow	Total Pressure
	mm	Kw	r/min	m ³ /h	Pa
CH-PP280A	280	0.75	1450	565-1178	288-126
CH-PP320A	320	0.75	1450	844-1758	324-198
CH-PP360A	360	1.1	1450	1332-2634	393-247
CH-PP400A	400	1.1	1450	2006-3700	501-329
CH-PP450A	450	1.5	1450	2856-5281	634-416
CH-PP500A	500	2.2	1450	3846-7728	790-502
CH-PP600A	600	4	1450	6677-13353	1139-724
		1.5	960	4420-8841	498-317
CH-PP700A	700	7.5	1450	10602-21204	1550-984
		3	960	7312-14623	736-468
CH-PP800A	800	5.5	960	14052-18213	752-572
CH-PP600C	600	4	1450	6677-13353	1139-724
		1.5	960	4420-8841	498-317
CH-PP700C	700	7.5	1450	10602-21204	1550-984
		3	960	7312-14623	736-468
CH-PP800C	800	5.5	960	14052-18213	752-572

PRODUCT SIZE

▶ PP4—72 SERIES





Unit: mm

Item	Fan Housing Dimensions								Frame & Base Dimensions			
	L2	W2	Inlet Size		Outlet Size				L1	W1	H	
			D1	D2	B1	B2	B3	B4			90°	180°
CH-PP280A	580	540	160	260	190	230	290	330	360	440	320	275
CH-PP320A	650	580	190	290	235	260	315	340	370	480	350	300
CH-PP360A	680	620	200	300	250	290	350	390	380	520	395	345
CH-PP400A	770	630	260	360	270	330	370	430	480	530	440	370
CH-PP450A	880	690	300	400	300	360	400	470	480	570	470	425
CH-PP500A	1020	750	320	420	340	400	440	510	530	610	550	460
CH-PP600A	1200	860	400	500	400	480	510	590	590	710	620	535
CH-PP700A	1350	1050	470	570	470	570	590	680	680	850	740	620

ANTI — CORROSION CENTRIFUGAL FAN ▶ FD SERIES



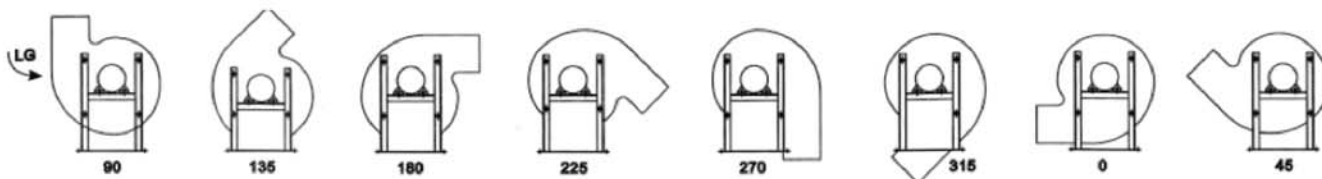
Anti-Corrosion Centrifugal Fan (FD Series)		
Technical Specification		
Impeller Dia Range Ø	mm	200 ~ 360
Air flow	CMH	1100 ~ 5268
Air pressure	Pa	160 ~ 1578
Electric Option	V/Hz/Phase	220V/380V
		50HZ
		single phase / 3phase
Power Option	KW	0.12 ~ 2.2
Motor Grade	Protection	IP44, IP54, IP55
	Insulation	B, E, F
Material Option	Fan housing Frame	Polyethylene
	Fan impeller	Polypropylene
Driven Option		Direct (A), Belt (C)
Function Option	Popular	For normal usage situation
	Explosion	
	Anti-Corrosion	
Customizable		

Applications:

For chemical engineering, metallurgy, electronics, medicine, spinning, instrument, electroplate, mining, schools, hotels, laboratories, environmental production corollary equipment, ect.

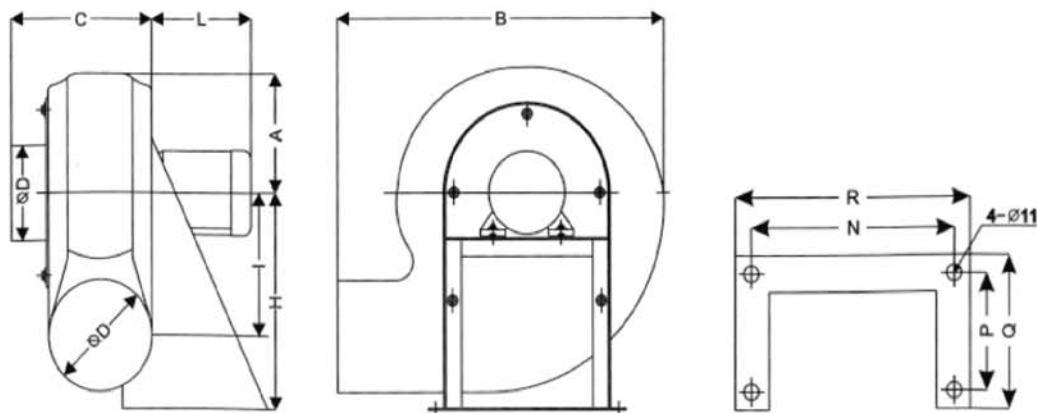
Advantages:

- ⊙ To ventilating the harmful gas like acid-base property gas.
- ⊙ The equipment has advantages of resistance to chemical attack, not easy for aging, light weight, low noise, stable operation and so on.



Performance Data

Item	Speed	Air Flow	Total Pressure	Power	Voltage	Noise	Weight
	rpm	m ³ /h	Pa	Kw	V	dB(A)	Kg
CH-FD200A2	2850	1100	450	0.18	220/380	65	14
CH-FD250A2	2850	2100	750	0.37	220/380	71	19.5
CH-FD250A4	1450	1080	160	0.12	220/380	54	15.5
CH-FD315A2	2850	4260	1200	1.1	220/380	75	25.5
CH-FD315A4	1450	2100	290	0.25	220/380	57	20.5
CH-FD360A2	2850	5268	1578	2.2	220/380	79	32
CH-FD360A4	1450	2634	383	0.37	220/380	60	25.5



Unit: mm

Item	A	B	C	D	H	I	L	R	N	Q	P
CH-FD200	150	385	200	160	250	145	195	240	205	140	100
CH-FD250	183	478	220	200	310	170	210	290	255	140	100
CH-FD315	240	570	240	250	410	210	245	355	320	230	150
CH-FD360	287	670	265	300	443	335	340	393	350	230	150



CHOSEN VENT TECH LTD.

Address: No.201-1 of 22, International Woodworking Machinery Area, Licun
Lunjiao, Shunde District, Foshan City, Guangdong, China

Production Base: 102 No.5 west of Xianchongzhongxin Road, Qiaonan Street,
Panyu District, Guangzhou, China

Tel: +86-757-27888568

Fax: +86-757-27888568

E-mail: info@ch-ventilation.com

Website: www.ch-ventilation.com